

## TECHNICAL INFORMATION

APPLICATION	Airflow direction	Horizontal, vertical
	Airflow type	Linear / exhaust or supply
CONSTRUCTION	Shape	Rectangular
	Min. length	100 mm
	Max. length	2000 mm
	Available steps in length	1 mm
	Min. height	37,5 mm
	Max. height	1000 mm
	Available steps in height	12,5 mm
	Installation depth	29 mm -> 45 mm
	Installation height	1,5 mm -> 6 mm
MATERIAL	Standard material	Anodized aluminium
	Standard finishing	Satin anodized 11 µm
	Product finishing options	Powder coating RAL
MOUNTING	Mounting options	Friction springs, concealed screw fixing, screw fixing

## QUICK SELECTION

A600 SUPPLY

Q [m³/h]		L [mm]							
H [mm]	Lw	200	300	400	500	600	700	800	1000
50	25 dB(A)	42	60	78	94	109	123	137	163
	35 dB(A)	68	98	127	153	177	201	223	265
75	25 dB(A)	67	96	124	150	174	197	219	259
	35 dB(A)	109	157	202	244	283	321	356	423
100	25 dB(A)	90	129	166	201	233	264	293	347
	35 dB(A)	146	211	271	327	380	430	477	566
150	25 dB(A)	132	191	245	296	343	389	432	512
	35 dB(A)	216	312	400	483	561	635	705	837
200	25 dB(A)	174	250	321	388	450	510	566	671
	35 dB(A)	284	410	526	635	738	835	927	1099
250	25 dB(A)	215	310	398	480	557	631	700	830
	35 dB(A)	353	509	653	788	915	1035	1149	1362
300	25 dB(A)	257	370	476	574	666	753	836	991
	35 dB(A)	423	609	782	944	1096	1239	1376	1631

## A600

### BAR GRILLE FOR WALL MOUNTING

Variations [AA600](#) [AB600](#) [AC600](#) [AD600](#) [AE600](#)  
[AF600](#) [AK600](#) [AM600](#) [AN600](#) [AV600](#)



Aluminium bar grille, suitable for the supply and exhaust of cooled or heated air, with straight bars or with 15° deflection. The grille is suitable for wall mounting. Multiple frame executions are possible. Standard delivered with mounting clips, various other mounting options are available. Installation is possible with or without mounting frame (GR001). Standard finish satin anodised.

#### Architectural finish

Suitable for wall installation

Easy to install with mounting clips



## ACCESSORIES

**GT007**

Damper



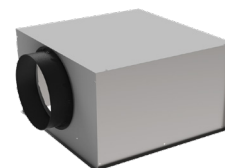
**GR001**

Mounting frame



**DP100**

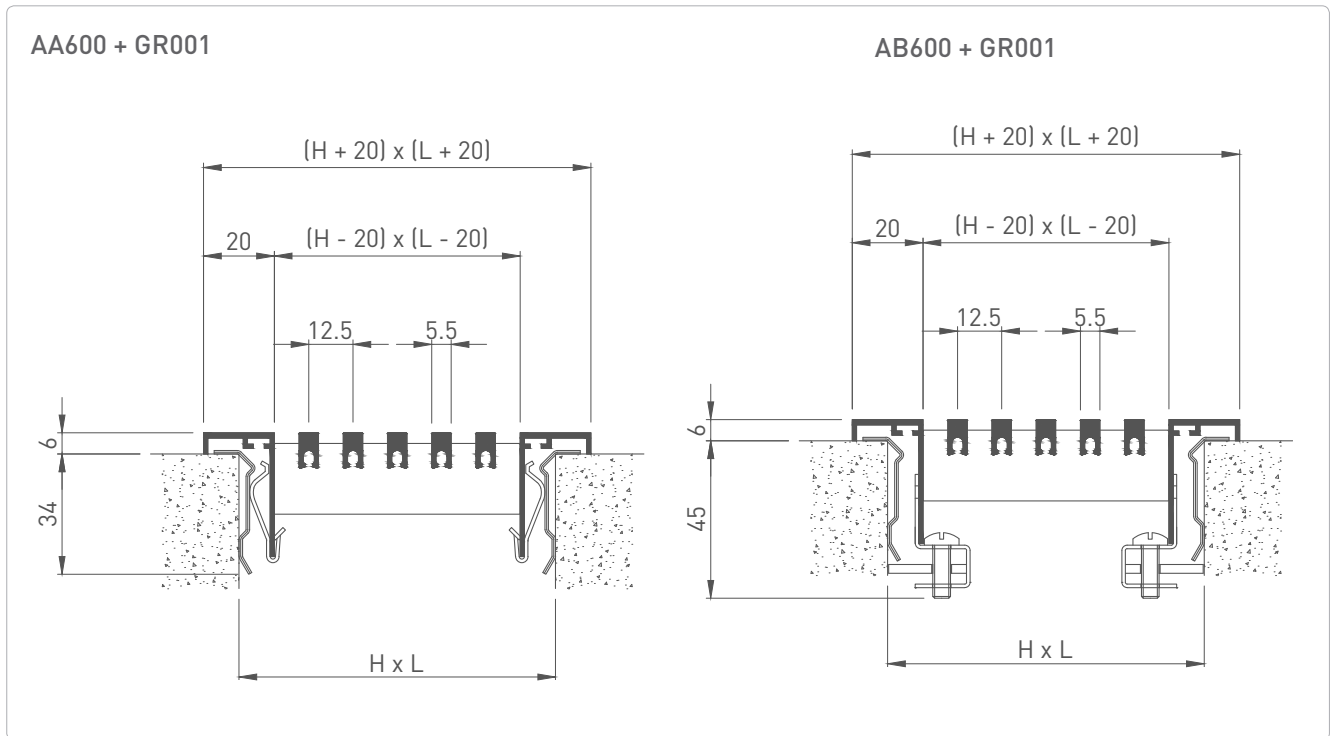
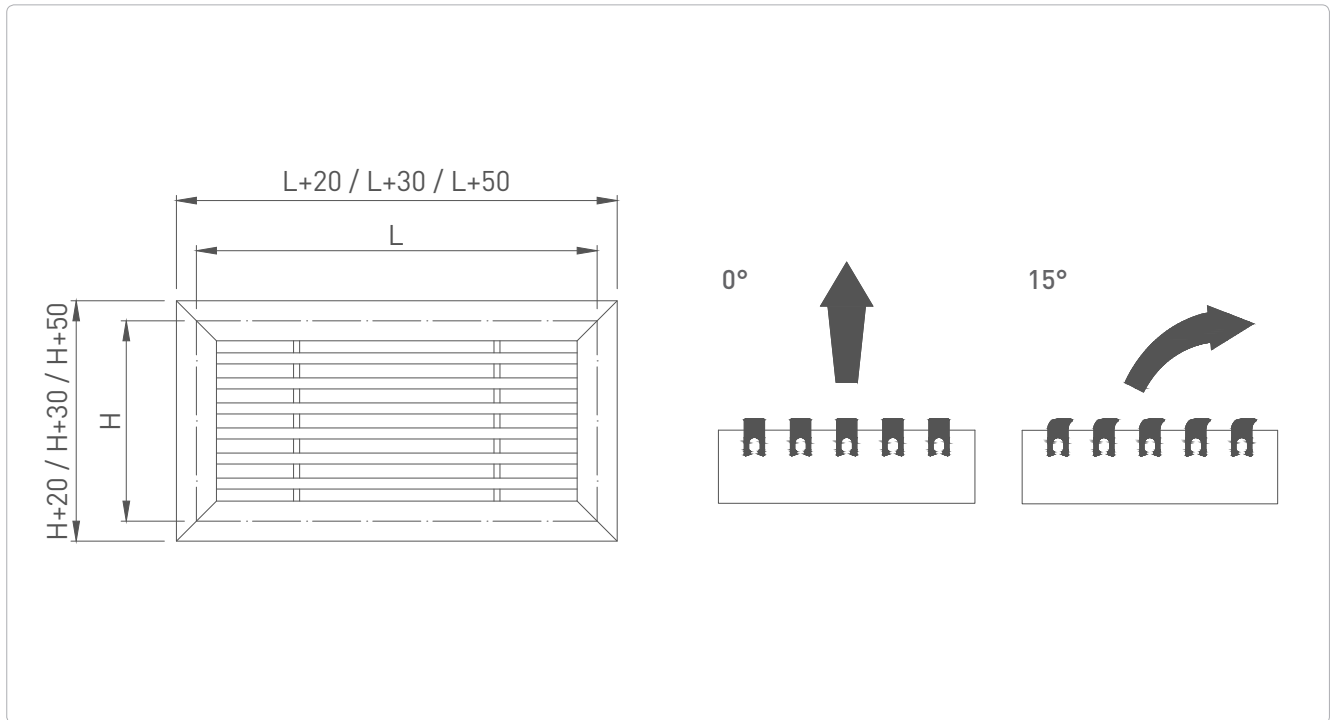
Plenum box



# BAR GRILLE FOR WALL MOUNTING

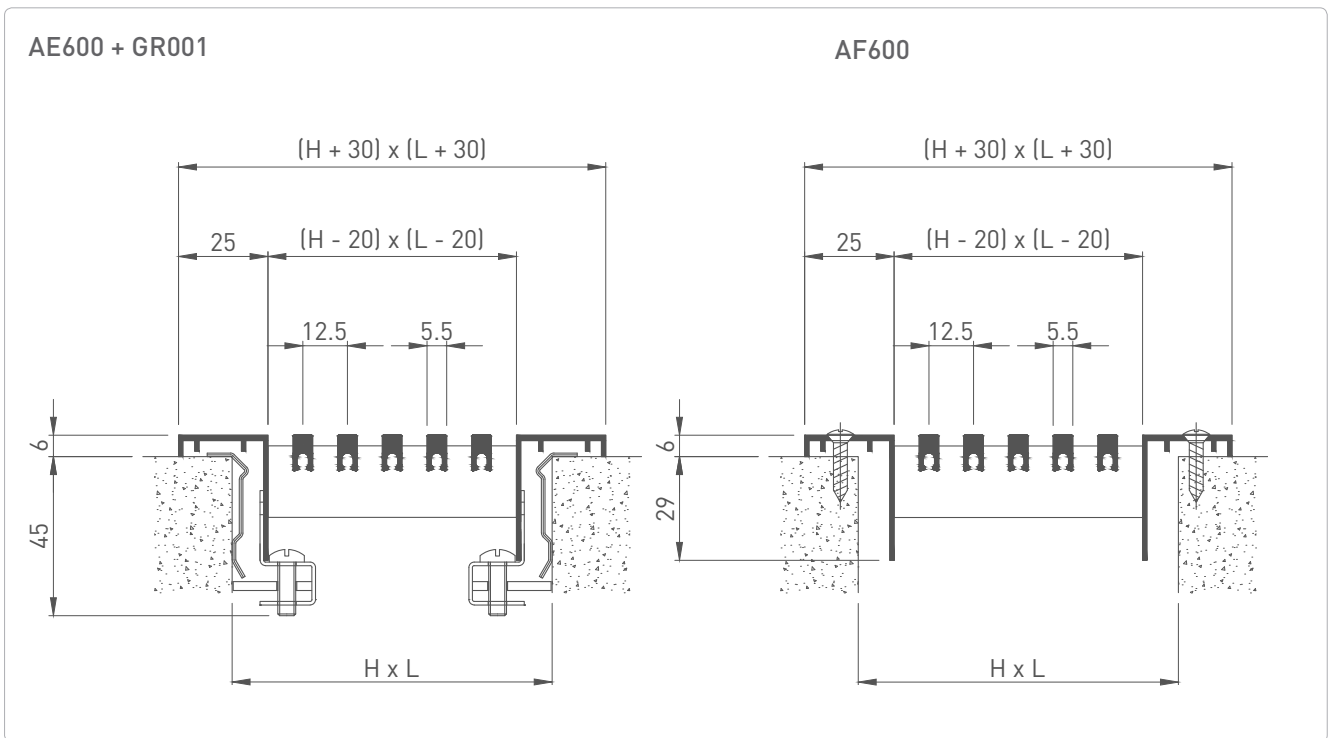
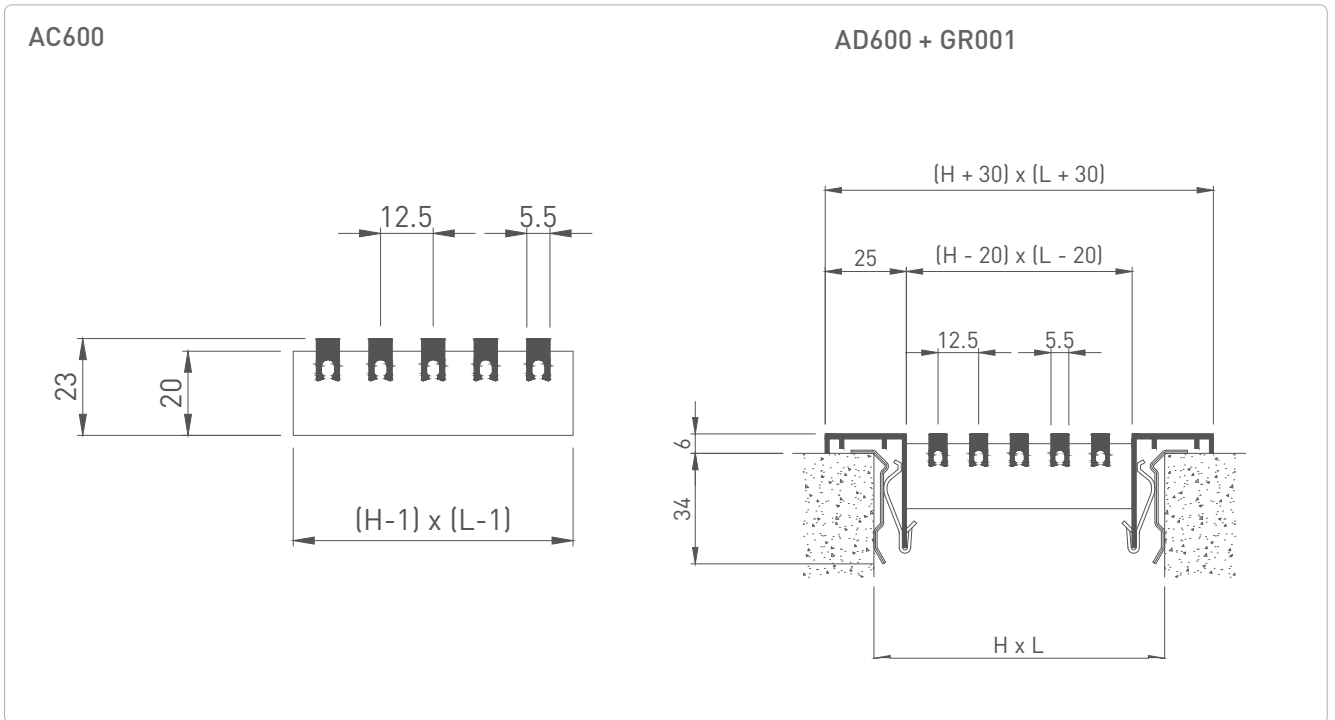
AA600 AB600 AC600 AD600 AE600 AF600 AK600 AM600 AN600 AV600

## DRAWING



All dimensions in mm.

MOUNTING AND OPERATING INSTRUCTIONS

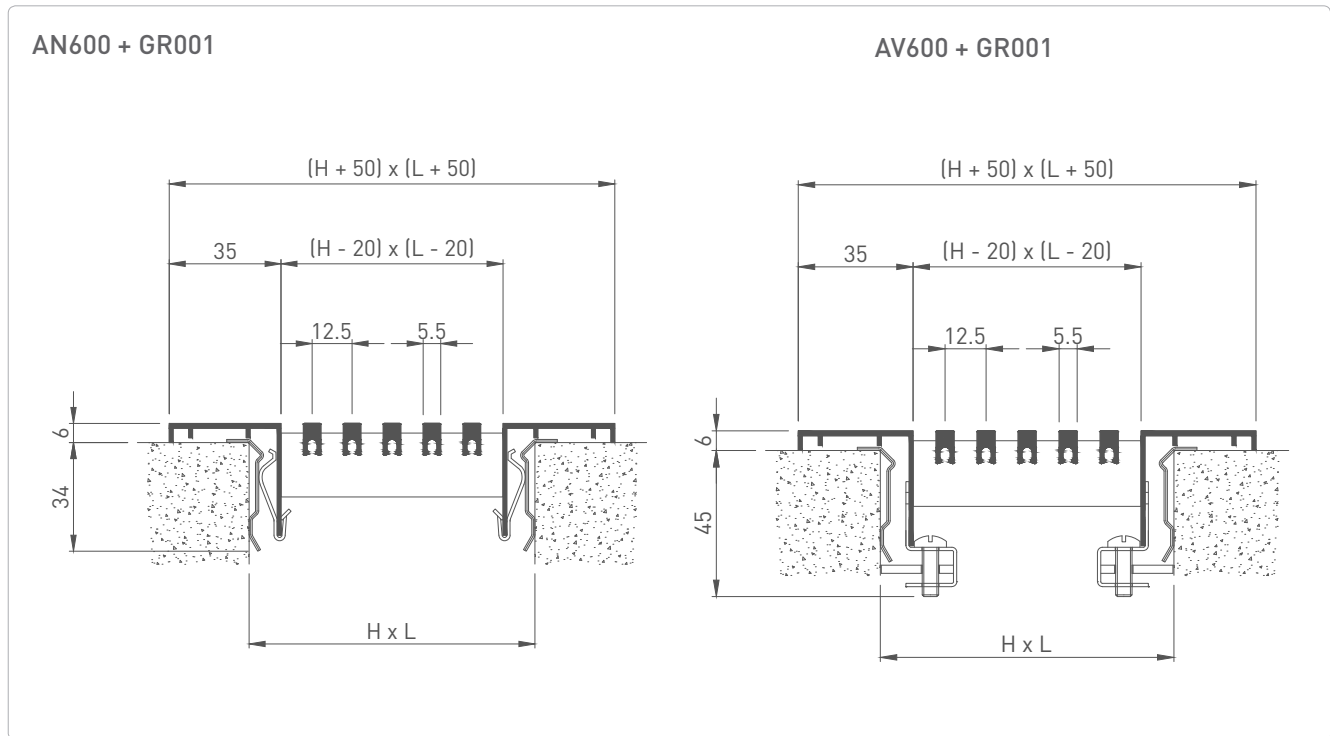
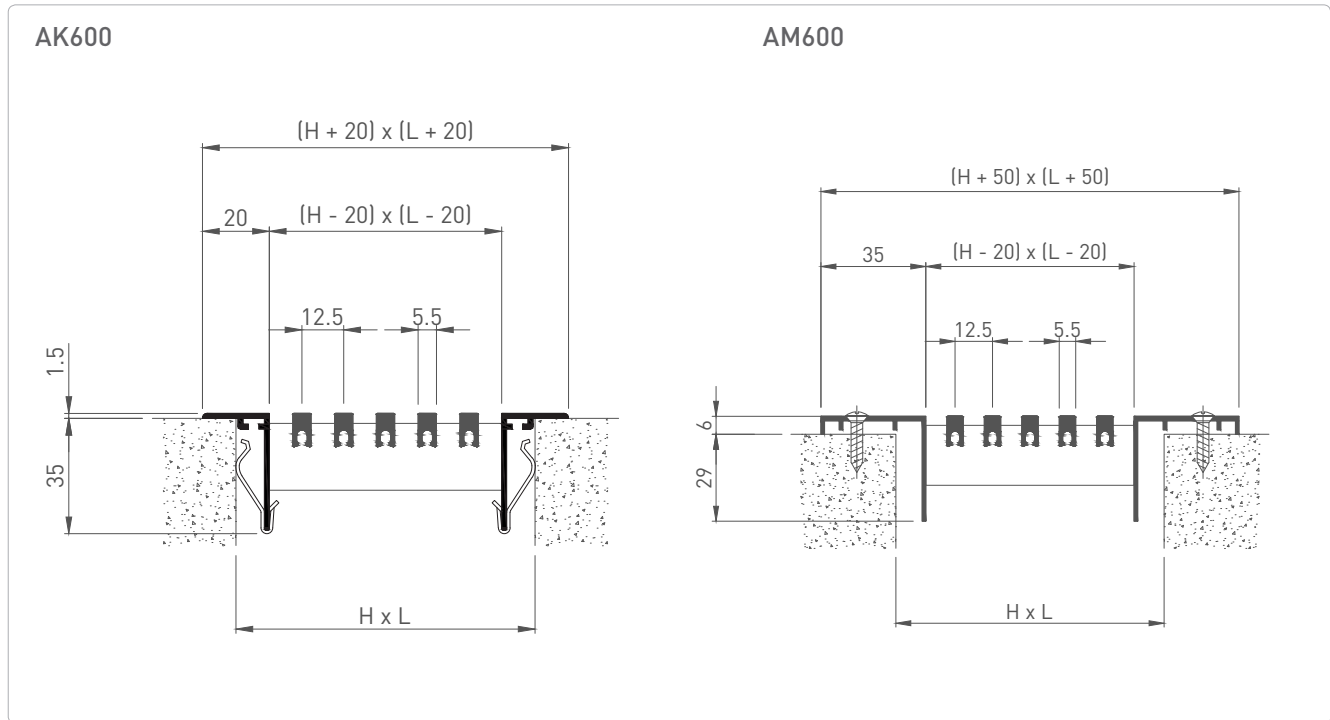


All dimensions in mm.

# BAR GRILLE FOR WALL MOUNTING

AA600 AB600 AC600 AD600 AE600 AF600 AK600 AM600 AN600 AV600

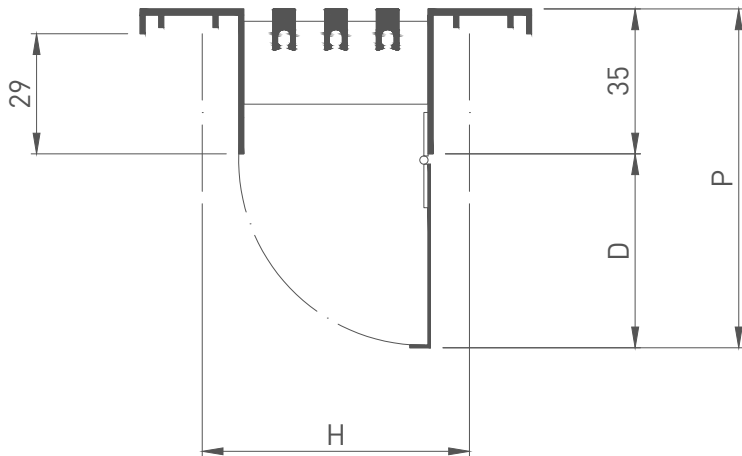
## DRAWING



All dimensions in mm.

AVAILABLE VERSIONS

A-609

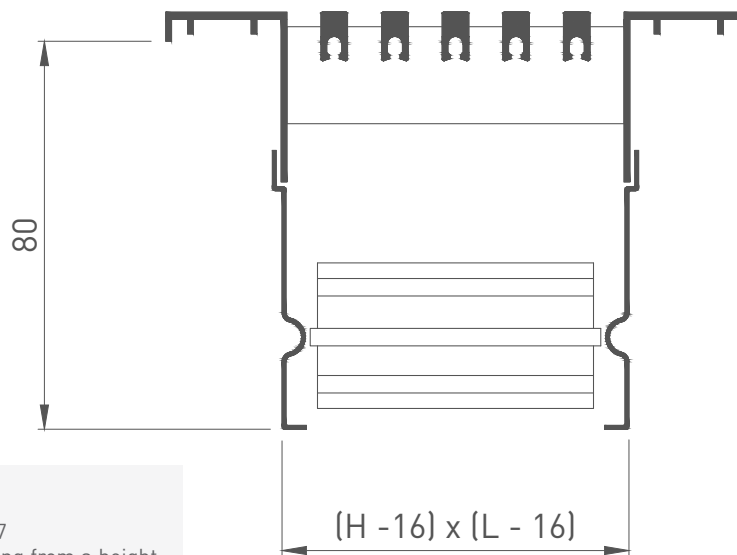


**i** Damper type: GT009 Only available for the nominal heights 38, 50 and 63 mm.

NOT AVAILABLE SEPARATELY.

H	D	P
38	21	56
50	33	67
6	46	81

A-607  
A-627



**i** Damper type: GT007 Only available starting from a height of 75 mm.

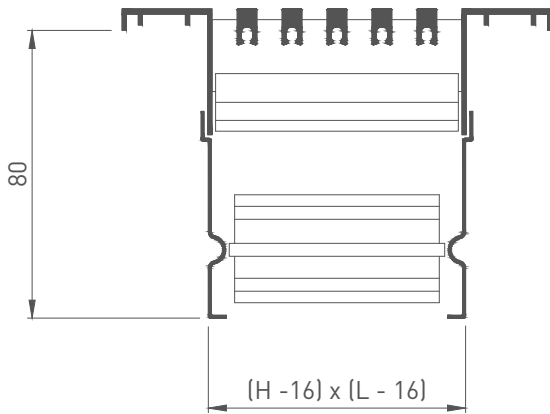
All dimensions in mm.

## BAR GRILLE FOR WALL MOUNTING

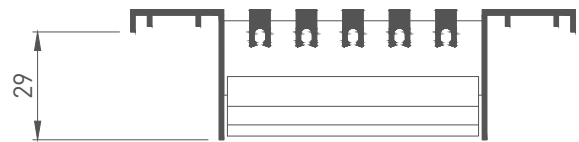
AA600 AB600 AC600 AD600 AE600 AF600 AK600 AM600 AN600 AV600

### FIXATION METHOD

A-617  
A-637

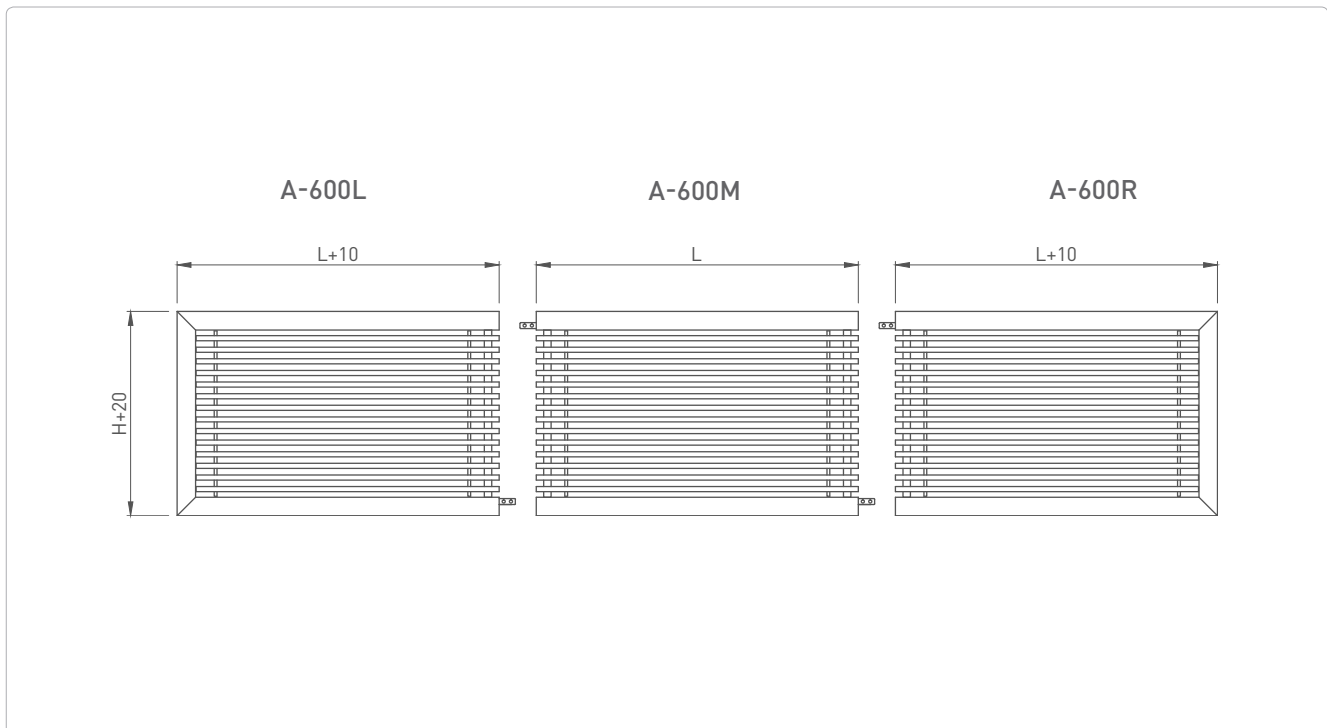


A-610  
A-630



In case of construction with flow equalizer, the adjustable vanes are integrated in the frame and form a whole with the grille.  
Aluminium sheet vanes  
(min. H = 75, max H = 525 mm, in steps of 25 mm).

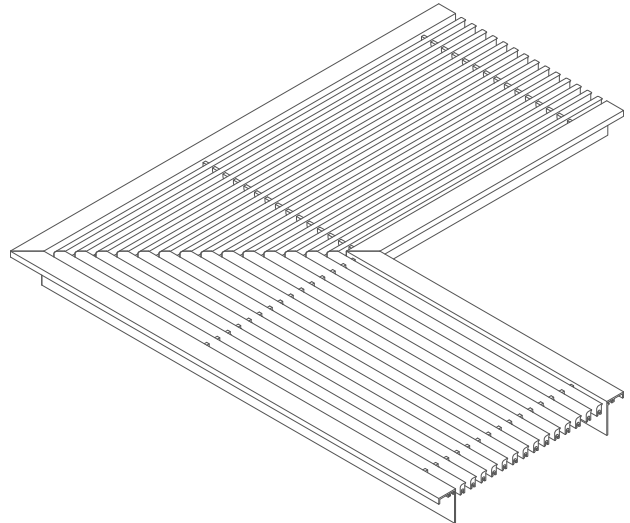
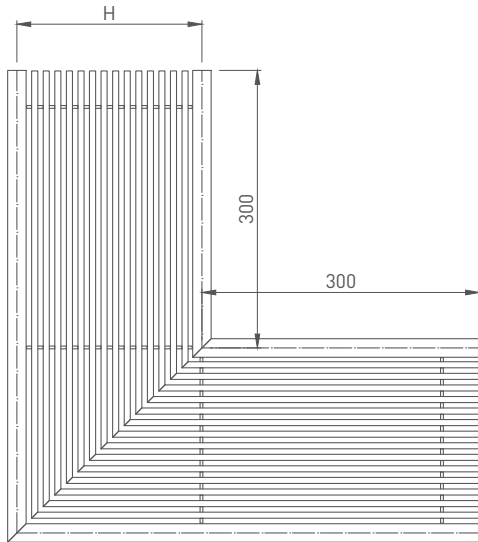
### INTERMEDIATE PIECE AND END PIECE



All dimensions in mm.

CORNER SECTION

A-600C



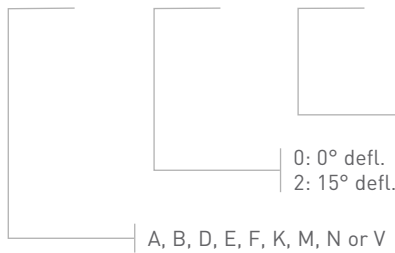
HOW TO ORDER

AD600 CORNER PIECE, H = 200 MM

A	D	6	0	0	C	-	0	3	0	0	0	2	0	0
---	---	---	---	---	---	---	---	---	---	---	---	---	---	---

Standard inner size corner

H



C: corner section 0° deflection or 15° inwards  
D: corner section 0° deflection or 15° outwards

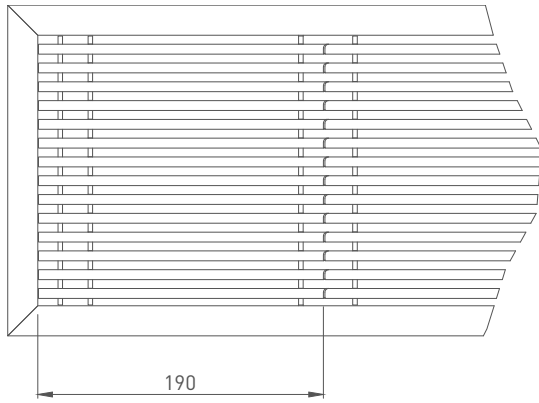
**i** The corner sections are being manufactured in one piece with an inner dimension of 300 x 300 mm nominal (see drawing).  
The corner sections are standard 90°.

# BAR GRILLE FOR WALL MOUNTING

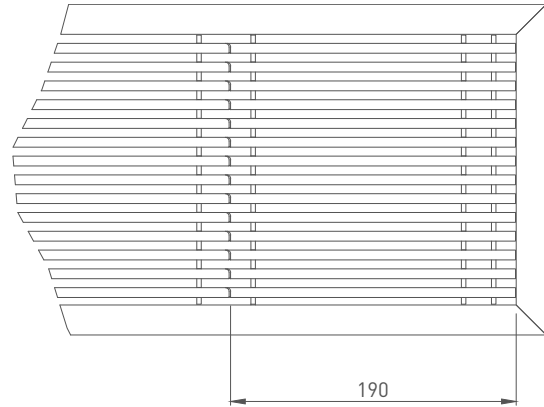
AA600 AB600 AC600 AD600 AE600 AF600 AK600 AM600 AN600 AV600

## CORNER SECTION

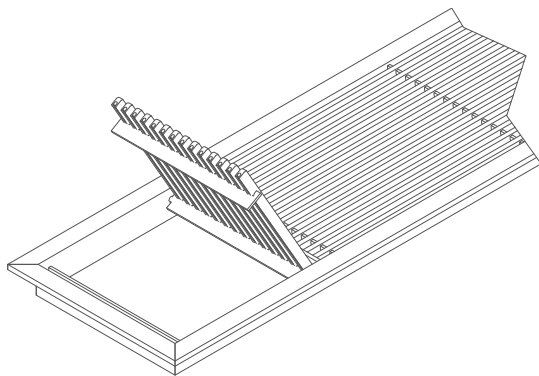
A-625



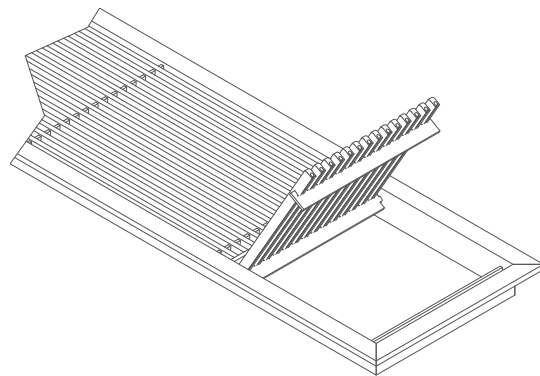
A-624



A-625



A-624

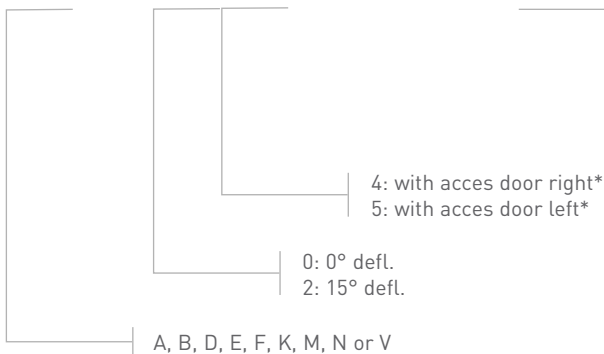


### HOW TO ORDER

A D 6 0 4 - - 0 6 0 0 0 2 0 0

L

H



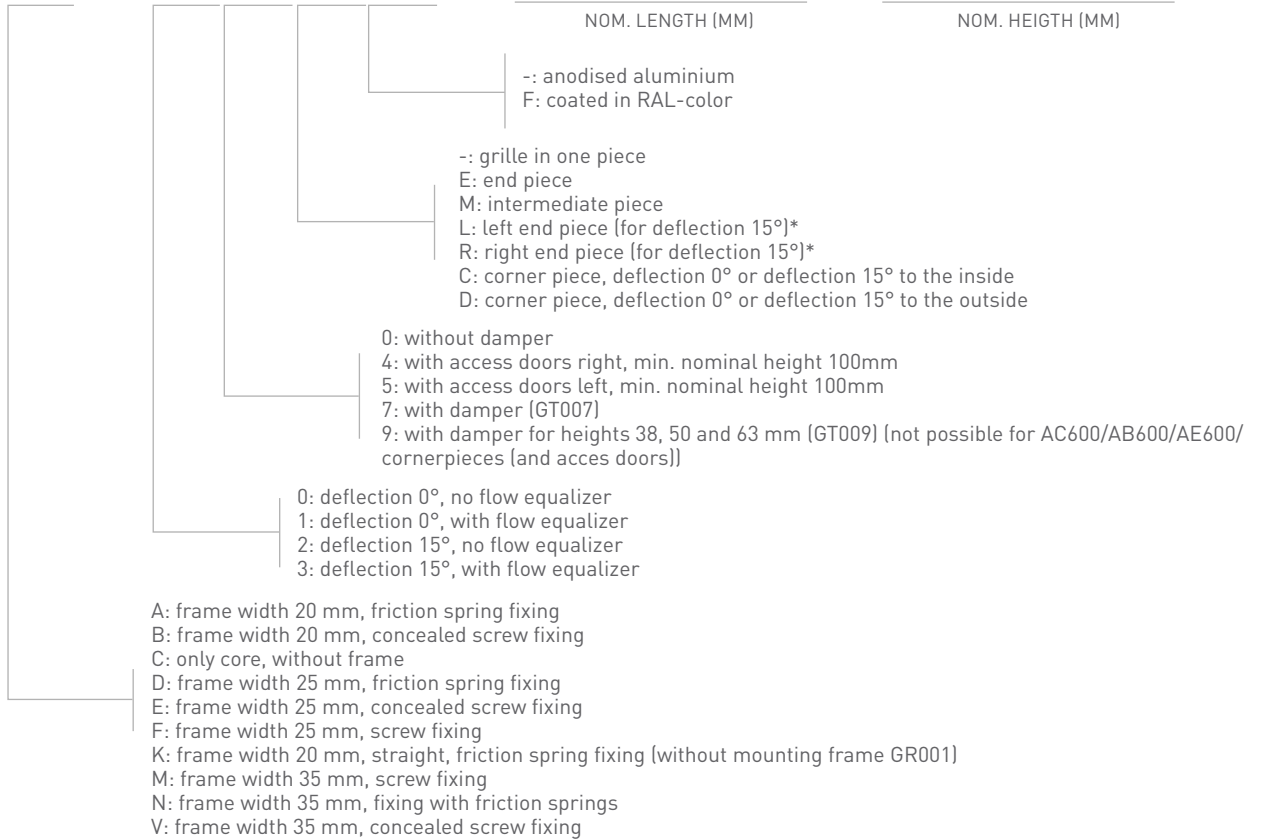
**i** The A-600 grilles series can be provided with a left or right access door as of a H = 100 mm nominal.

\*NOTE: L (left) and R (right) looking at the face of the bar grille having a downward deflection.



**ORDER CODE**  
GRILLE

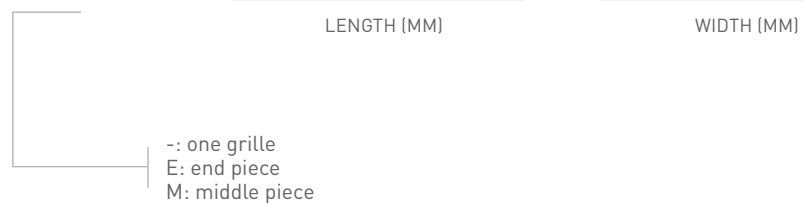
A	A	6	0	7	-	F	0	6	0	0	0	3	0	0
---	---	---	---	---	---	---	---	---	---	---	---	---	---	---



\* NOTE: L(left) and R(right) are determined by looking at the face of the grille with the bars having a downward deflection

**MOUNTING FRAME**

G	R	0	0	1	-	-	0	6	0	0	0	3	0	0
---	---	---	---	---	---	---	---	---	---	---	---	---	---	---



**MONTAGE**

Execution	AB	AD	AE	AF	AK	AM	AN	AV
Wall mounting	x	x	x	x	x	x	x	x
Friction springs		x			x		x	
Invisible screw fixing	x		x					x
Screws				x		x		