

SLS

ALUMINIUM ADJUSTABLE SLOT DIFFUSER WITH FLANGE



VARIANTS

SLS, SLS_P

The adjustable slot diffuser type SLS is suitable for the supply and exhaust of cooled and heated air. Each slot (available from 1 to 6 slots) is individually adjustable and is equipped with 2 specially designed discrete deflectors. This results in an ideal air flow pattern that can be adjusted by 180° (vertical and horizontal air flow). Available in several lengths, in multiple middle and end sections to create a linear diffuser up to any length or in panel version for installation in modular system ceilings.

Sleek design with discrete aluminium deflectors (Slot width 25mm)

Easy mounting with mounting brackets (in combination with plenum type SPS)

Wide temperature range for both heating and cooling

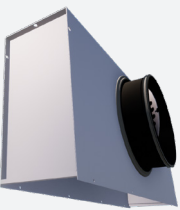
ACCESSORIES



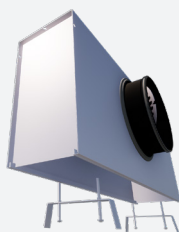
SPS0



SL000



SPB



SPS



BOBSL

TECHNICAL INFORMATION

APPLICATION	Airflow direction	Lateral, axial, adjustable
	Airflow type	Linear, exhaust or supply
CONSTRUCTION	Shape	Linear
	Min. Length	300mm
	Max. length	2000mm
	Available steps in length	1mm
	Number of slots	1,2,3,4,5,6
	Flange size	20mm
	Slot width	25mm
	Installation depth	34mm
MATERIAL	Panel width (SLS_P)	Standard 300mm
	Standard material	Extruded aluminium
	Standard finishing	Satin anodized 11µm
	Product finishing options	Powder coating RAL
	Deflectors	powder coated extruded aluminium
	Deflector fixation piece	POM
	Panel	Powder coated steel sheet metal
MOUNTING	Mounting options SLS	With mounting bracket on SPS plenum box, fixed mounting on SPB plenum box
	Mounting options SLS on panel	Fixed mounting on SPP plenum box
PLENUM	Material	Galvanised (275g/m ²) steel sheet, PP/TPE spigot
	Optional insulation	Melamine 6mm
	Spigot	Class D spigot with double lip seal
	Volume control	Optional perforated volume flow control disk inside the spigot
	Mounting options	Mounting eyes (Ø7mm) standard, mounting brackets available upon request

QUICK SELECTION

	Supply Q _v [m ³ /h]	L [mm]			
		L _w	600	1000	1500
SLS-1	25 dB(A)	64	99	138	174
	35 dB(A)	91	140	195	246
SLS-2	25 dB(A)	137	212	296	374
	35 dB(A)	192	296	414	524
SLS-3	25 dB(A)	166	256	356	450
	35 dB(A)	235	362	504	637
SLS-4	25 dB(A)	206	320	449	569
	35 dB(A)	286	442	619	786
SLS-5	25 dB(A)	263	406	567	718
	35 dB(A)	368	568	793	1004
SLS-6	25 dB(A)	270	417	582	737
	35 dB(A)	376	581	812	1029

EFFECTIVE AIR DISCHARGE AREA

Supply A _x [m ² /m]	SLS-1	SLS-2	SLS-3	SLS-4	SLS-5	SLS-6
	0.0174	0.0264	0.0354	0.0444	0.0623	0.0748

PRODUCT KEY

SLOT DIFFUSER WITH FLANGE SLS

S	L	S	1	2	-	-	1	2	0	0	0	0	0	0	
										Slot length L (mm): From 300 to 2000mm, per 1mm		Panel size (mm): From 350 to 2055, per 1mm			
										-: Naturel anodised (not for P, Z and C) F: Coated -: Standard C: Corner section 90° (600x600mm) E: End piece M: Intermediate piece P: Panel with 4 raised edges of 10 mm Z: Panel with 2 sides fine line 5/8 on the short side and 2 raised edges of 10 mm on the long side Q: Square panel with 4 raised edges of 10 mm Y: Square panel with 4 sides fine line 5/8					
										1: 1 slot (1 to 6 slots)					
										0: Without deflectors, black spacers 1: Black deflectors RAL9005 MATT, black spacers 2: White deflectors RAL9010, white spacers 3: White deflectors RAL9016 MATT, white spacers 4: White deflectors RAL9003 MATT, white spacers 5: Deflectors painted in color by choice, black spacers 6: Deflectors painted in color by choice, white spacers 7: Without deflectors, white spacers					

PLENUM SPS WITH MOUNTING BRACKETS (MOUNTING BRACKETS+SCREWS INCLUDED) FOR SLOT DIFFUSER SLS (EXCEPT PANEL VERSION SLS_P)

S	P	S	0	2	-	S	-	-	0	0	1	6	0	1	2	0	0
										Nominal diameter (mm): 80, 100, 125, 160, 200, 250, or 315 Slot length <=1600: 1 diameter Slot length >=1601: 2 diameters			Slot length L (mm): From 300 to 2000mm, per 1mm				
										0: without mounting straps 1: with mounting straps - : without damper D : with damper -: non insulated plenum G: insulated plenum H: half insulated plenum S: Side connection -: Standard M: Intermediate piece L: End piece left (looking at plenum front into the inlet of the connection collar) R: End piece right (looking at plenum front into the inlet of the connection collar)							
										1: 1 slot (1 to 6 slots)							

PRODUCT KEY

PLENUM SPB FOR DIRECT MOUNTING ON SLOT DIFFUSER SLS (EXCEPT PANEL VERSION)																	
S	P	B	0	2	-	S	-	-	0	0	1	6	0	1	2	0	0
										Nominal diameter (mm): 80, 100, 125, 160, 200, 250, or 315 Slot length <=1600: 1 diameter Slot length >=1601: 2 diameters			Slot length L (mm): From 300 to 2000mm, per 1mm				
										0: Without mounting straps 1: With mounting straps							
										-: Without damper D: With damper							
										-: Non insulated plenum G: Insulated plenum H: Half insulated plenum							
										S: Side connection							
										-: Standard L: End piece left (looking at plenum front into the inlet of the connection collar) M: Intermediate piece R: End piece right (looking at plenum front into the inlet of the connection collar)							
										1: 1 slot (1 to 6 slots)							

PLENUM SPP FOR DIRECT MOUNTING ON SLOT DIFFUSER SLS_P (PANEL VERSION)																	
S	P	P	0	2	-	S	-	-	0	0	1	6	0	1	2	0	0
										Nominal diameter (mm): 80, 100, 125, 160, 200, 250, or 315 Slot length <=1600: 1 diameter Slot length >=1601: 2 diameters			Slot length L (mm): From 300 to 2000mm, per 1mm				
										0: Without mounting straps 1: With mounting straps							
										-: Without damper D: With damper							
										-: Non insulated plenum G: Insulated plenum H: Half insulated plenum							
										S: Side connection							
										-: Standard							
										1: 1 slot (1 to 6 slots)							

SLOT DIFFUSER SLS WITH PLENUM SPB (MOUNTED)

S	L	S	1	2	-	-	S	-	-	0	1	2	0	0
---	---	---	---	---	---	---	---	---	---	---	---	---	---	---

Slot length L (mm):
From 300 to 2000mm, per 1mm

0: Without mounting straps
1: With mounting straps

-: Without damper
D: With damper

-: Non insulated plenum
G: Insulated plenum
H: Half insulated plenum

S: Side connection

-: Naturel anodised
F: Coated

-: Standard
L: End piece left (looking at plenum front into the inlet of the connection collar)
M: Intermediate piece
R: End piece right (looking at plenum front into the inlet of the connection collar)

1: 1 slot
(1 to 6 slots)

0: Without deflectors, black spacers
1: Black deflectors RAL9005 MATT, black spacers
2: White deflectors RAL9010, white spacers
3: White deflectors RAL9016 MATT, white spacers
4: White deflectors RAL9003 MATT, white spacers
5: Deflectors painted in color by choice, black spacers
6: Deflectors painted in color by choice, white spacers
7: Without deflectors, white spacers

SLOT DIFFUSER SLS_P WITH PLENUM SPP (MOUNTED)

S	L	S	1	2	P	F	S	-	-	0	1	2	0	0	1	2	4	2
---	---	---	---	---	---	---	---	---	---	---	---	---	---	---	---	---	---	---

Slot length L (mm):
From 300 to 2000mm, per 1mm

Panel size (mm):
From 350 to 2055, per 1mm

0: Without mounting straps
1: With mounting straps

-: Without damper
D: With damper

-: Non insulated plenum
G: Insulated plenum
H: Half insulated plenum

S: Side connection

F: Coated

P: Panel with 4 raised edges of 10 mm
Z: Panel with 2 sides fine line 5/8 on the short side and 2 raised edges of 10 mm on the long side
Q: Square panel with 4 raised edges of 10 mm
Y: Square panel with 4 sides fine line 5/8

1: 1 slot
(1 to 6 slots)

0: Without deflectors, black spacers
1: Black deflectors RAL9005 MATT, black spacers
2: White deflectors RAL9010, white spacers
3: White deflectors RAL9016 MATT, white spacers
4: White deflectors RAL9003 MATT, white spacers
5: Deflectors painted in color by choice, black spacers
6: Deflectors painted in color by choice, white spacers
7: Without deflectors, white spacers

PRODUCT KEY

DUMMY PLATE BOBSL FOR SLOT DIFFUSER SLS (MOUNTING IN COMBINATION WITH MOUNTING BRACKETS SL)

B	0	B	S	L	0	2	1	2	0	0
---	---	---	---	---	---	---	---	---	---	---

Length dummy plate (mm):
From 20 to 2000mm, per 1mm

1: 1 slot
(1 to 6 slots)

MOUNTING BRACKET SL FOR CEILING MOUNTING SLOT DIFFUSER SLS (WITHOUT PLENUM)

S	L	0	0	2
---	---	---	---	---

1: 1 slot
(1 to 6 slots)
Slot length <=1200: 2 brackets
Slot length >=1201: 3 brackets

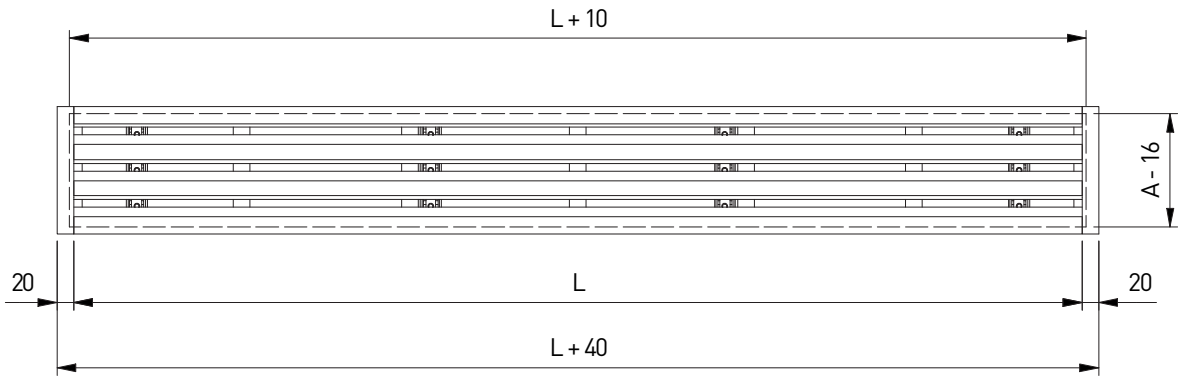
MOUNTING BRACKET SPS FOR MOUNTING SLOT DIFFUSER SLS IN DIY-PLENUM

S	P	S	2
---	---	---	---

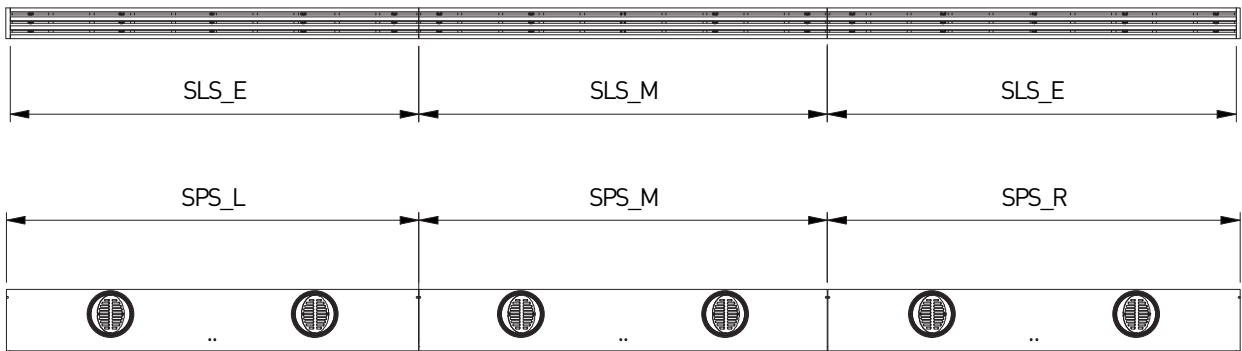
1: 1 slot
(1 to 6 slots)

SLS

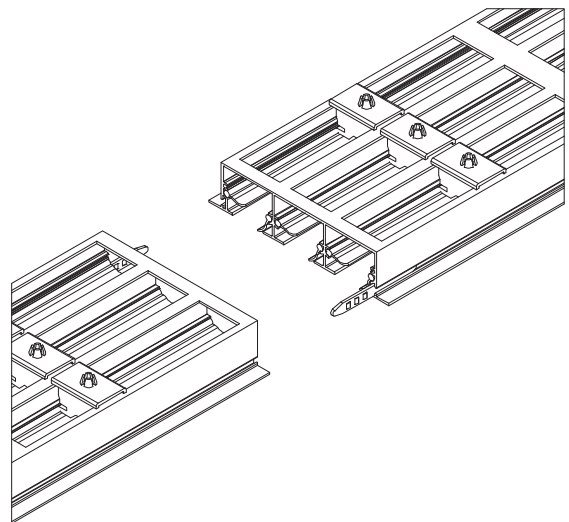
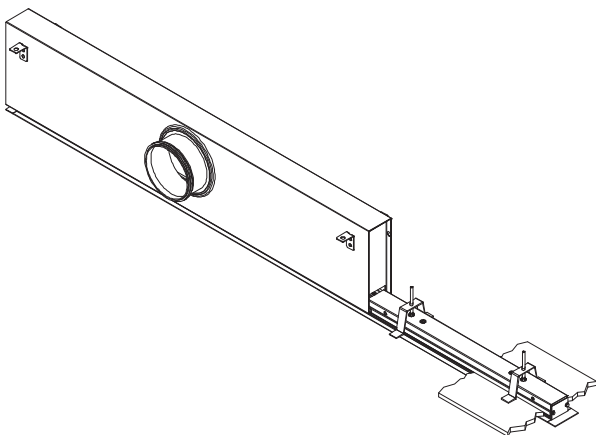
CEILING OPENING: $L+10 \times A-16$

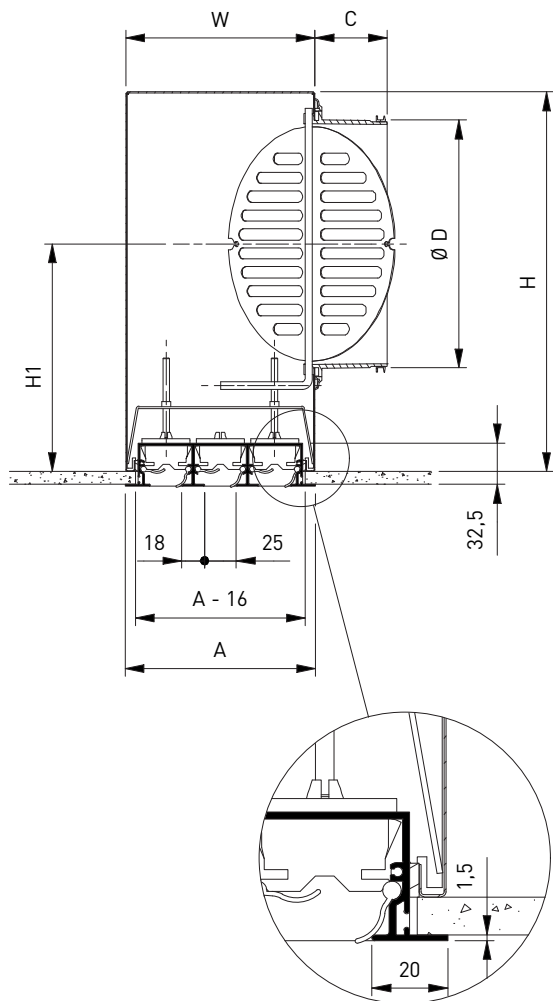


LINEAR: END PIECES AND INTERMEDIATE PIECES



- SLS11-F/1500
- + SPS01LS--1/125/1000
- + BOBSL01/500
- + SL001 (2x)





DIMENSIONS

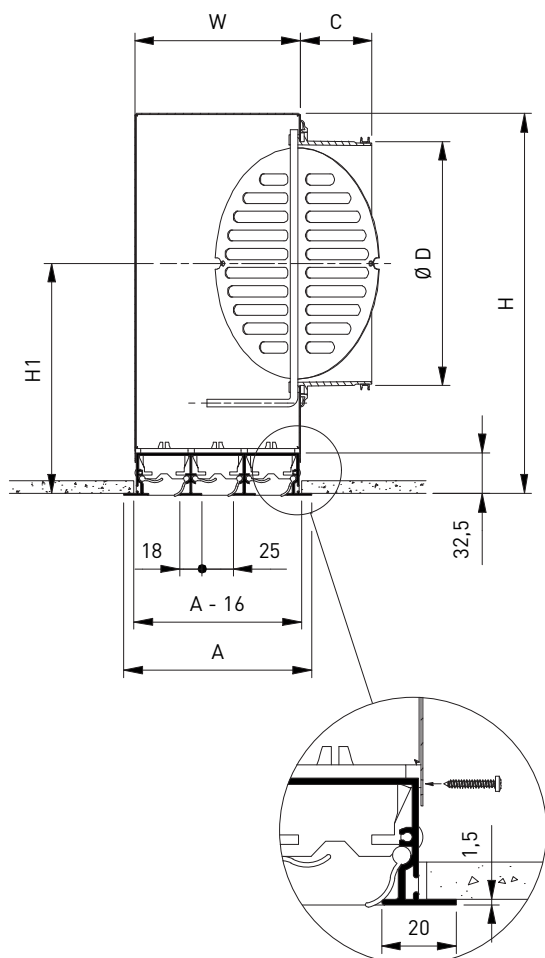
	Number of slots - SLS + SPS					
	1	2	3	4	5	6
A	65	108	151	194	237	280
C	58	58	58	58	78	78
ØD	123	158	198	198	248	248
H	200	250	300	300	350	350
H1	118	150	180	180	205	205
W	63	106	149	192	236	278

All dimensions in mm

L ≤ 1600: 1 diameter

L ≥ 1601: 2 diameters

SLS + SPB



DIMENSIONS

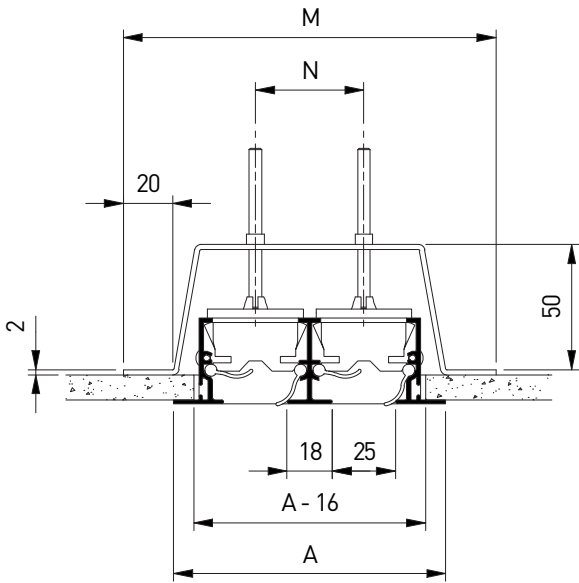
	Number of slots - SLS + SPB					
	1	2	3	4	5	6
A	65	108	151	194	237	280
C	58	58	58	58	78	78
ØD	123	158	198	198	248	248
H	205	255	305	305	355	355
H1	123	155	185	185	210	210
W	46	89	132	175	219	262

All dimensions in mm

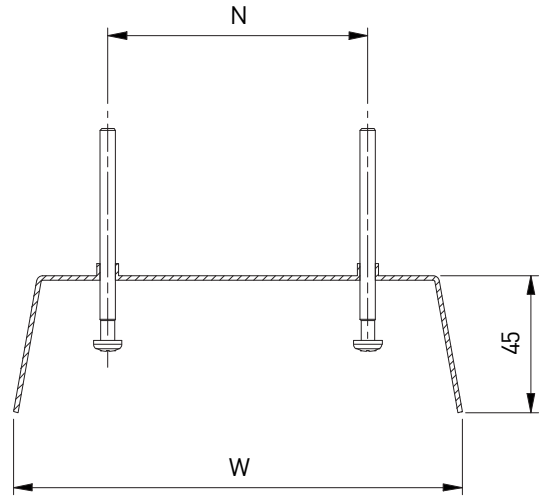
L ≤ 1600: 1 diameter

L ≥ 1601: 2 diameters

SLS12 + SL002



SPS3



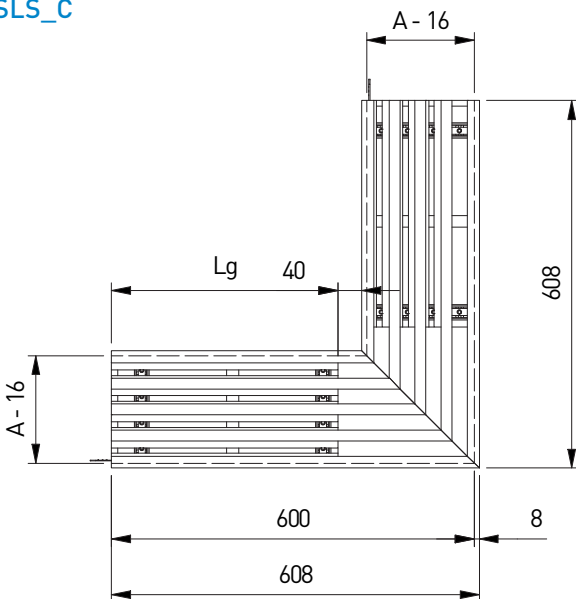
DIMENSIONS

	Number of slots - SLS					
	1	2	3	4	5	6
A	65	108	151	194	237	280
M	105	148	191	234	277	320
N	0	43	86	129	172	215
L_G	504	461	418	375	332	289
W	63	106	149	192	236	278

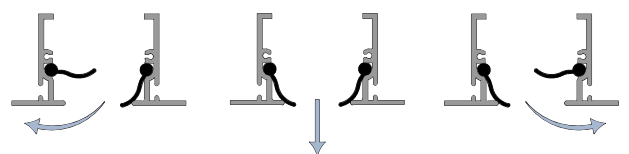
All dimensions in mm

L <= 1200: number of brackets = 2
 L >= 1201: number of brackets = 3

SLS_C

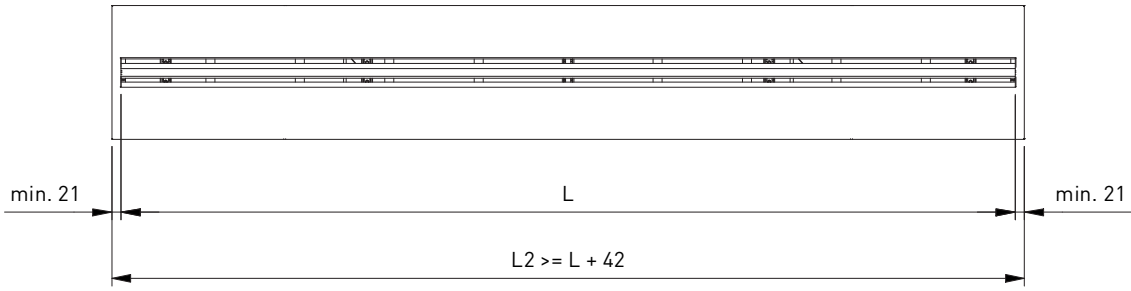


AIRFLOW DIRECTION

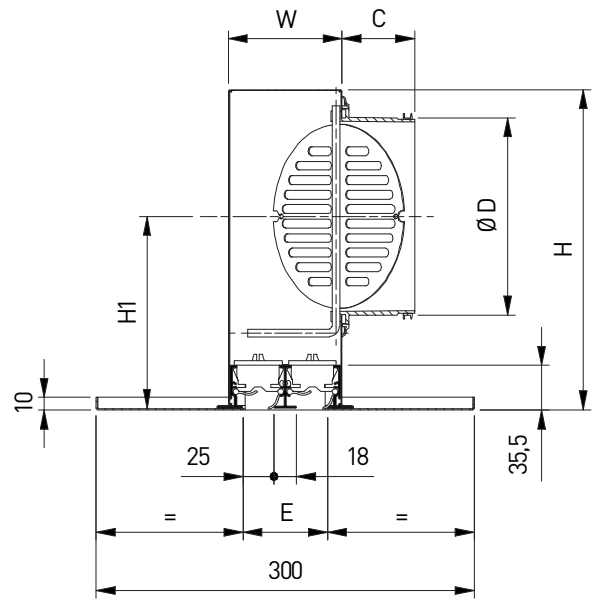
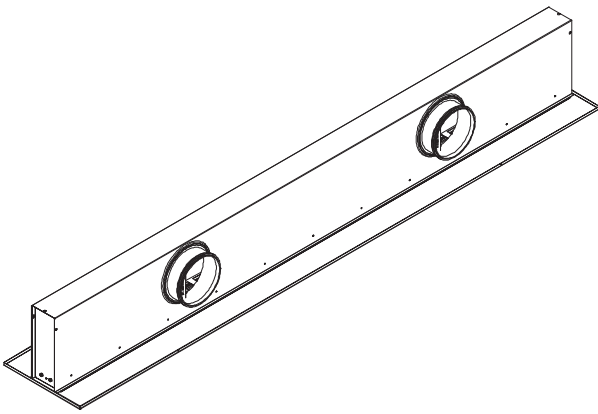


PANEL VERSION

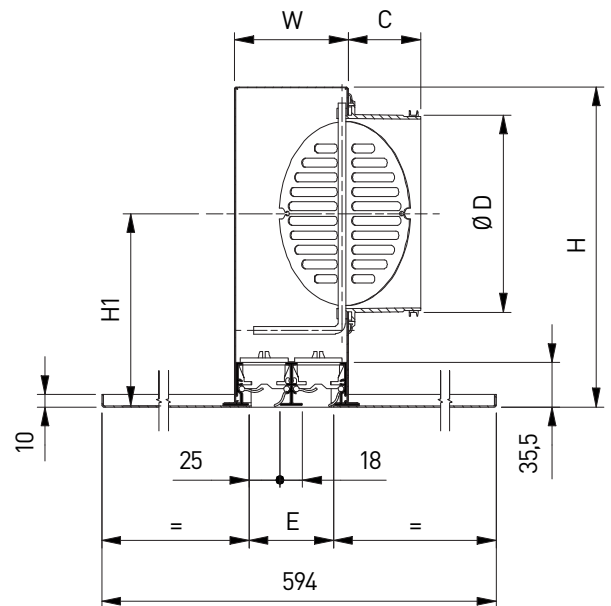
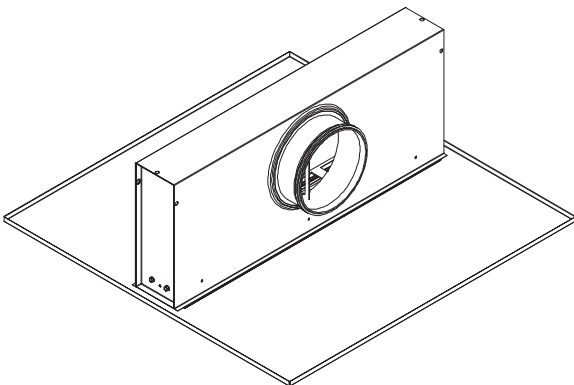
SLS_P



SLS_P + SPP

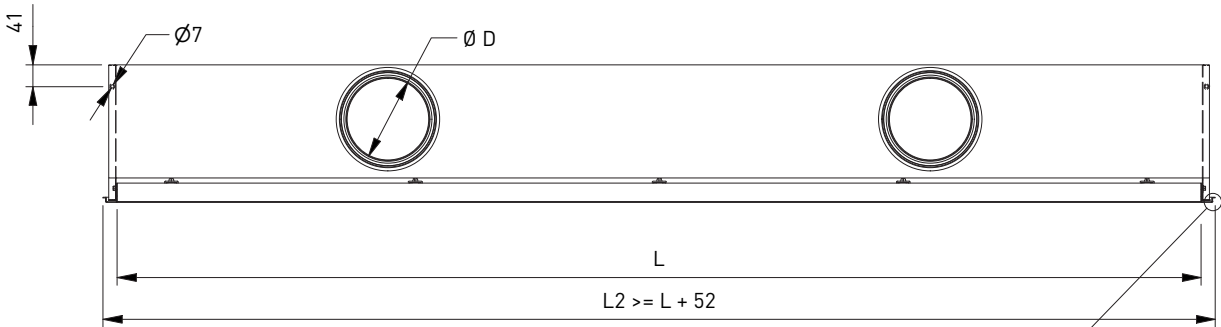
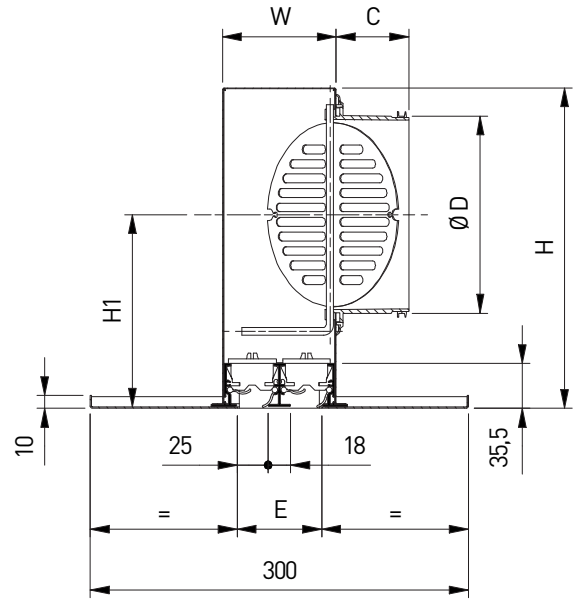
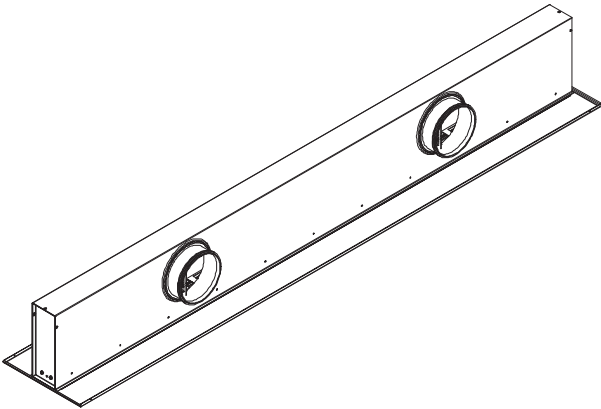


SLS_Q + SPP

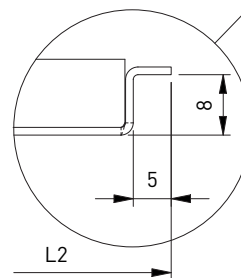


PANEL VERSION WITH FINE LINE

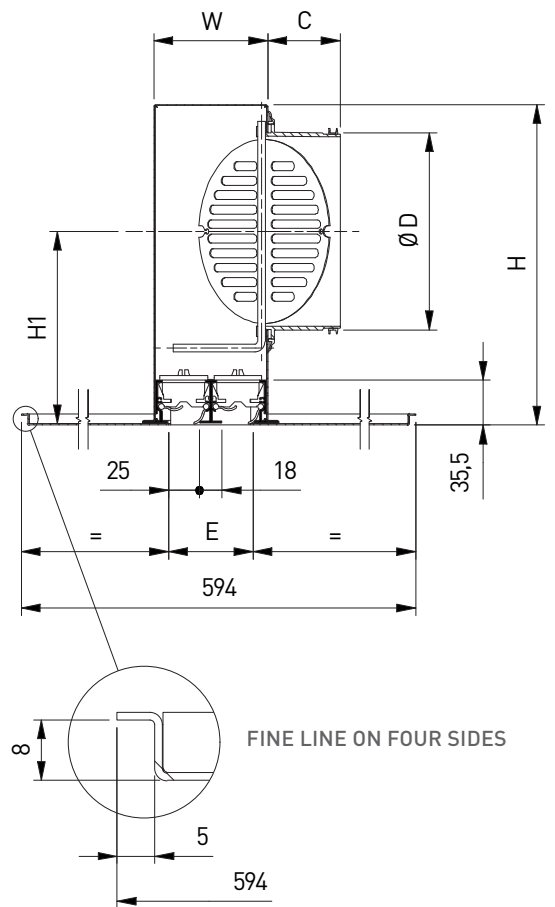
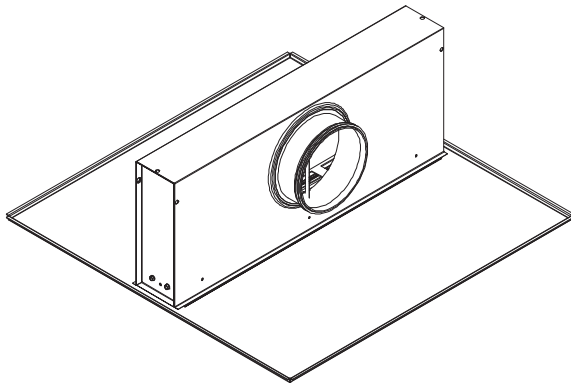
SLS_Z + SPP



FINE LINE ON TWO SIDES



SLS_Y + SPP



DIMENSIONS

	Number of slots - SLS_P/_Q/_Z/_Y + SPP					
	1	2	3	4	5	6
A	65	108	151	194	237	280
C	58	58	58	58	78	78
ØD	123	158	198	198	248	248
E	25	68	111	154	197	240
H	200	250	300	300	350	350
H1	118	150	180	180	205	205
W	46	89	132	175	219	262

All dimensions in mm
 L <= 1600: 1 diameter
 L >= 1601: 2 diameters